



# PLANNING & DEVELOPMENT FACILITIES

## UNIVERSITY OF MICHIGAN HEALTH SYSTEM

2101 Commonwealth, Suite B  
Ann Arbor, Michigan 48105-5759  
www.med.umich.edu/facilities/plan/

File Name/Archive No.  
9/4/19 martin, greg  
t:\fpd\_shared\planning-shared\engineers\g  
martin\digital signage cad\e-1.dwg

### GENERAL NOTES

- SEE SHEET E-2 FOR GENERAL ELECTRICAL NOTES.

STANDARD DETAIL 09/04/2019

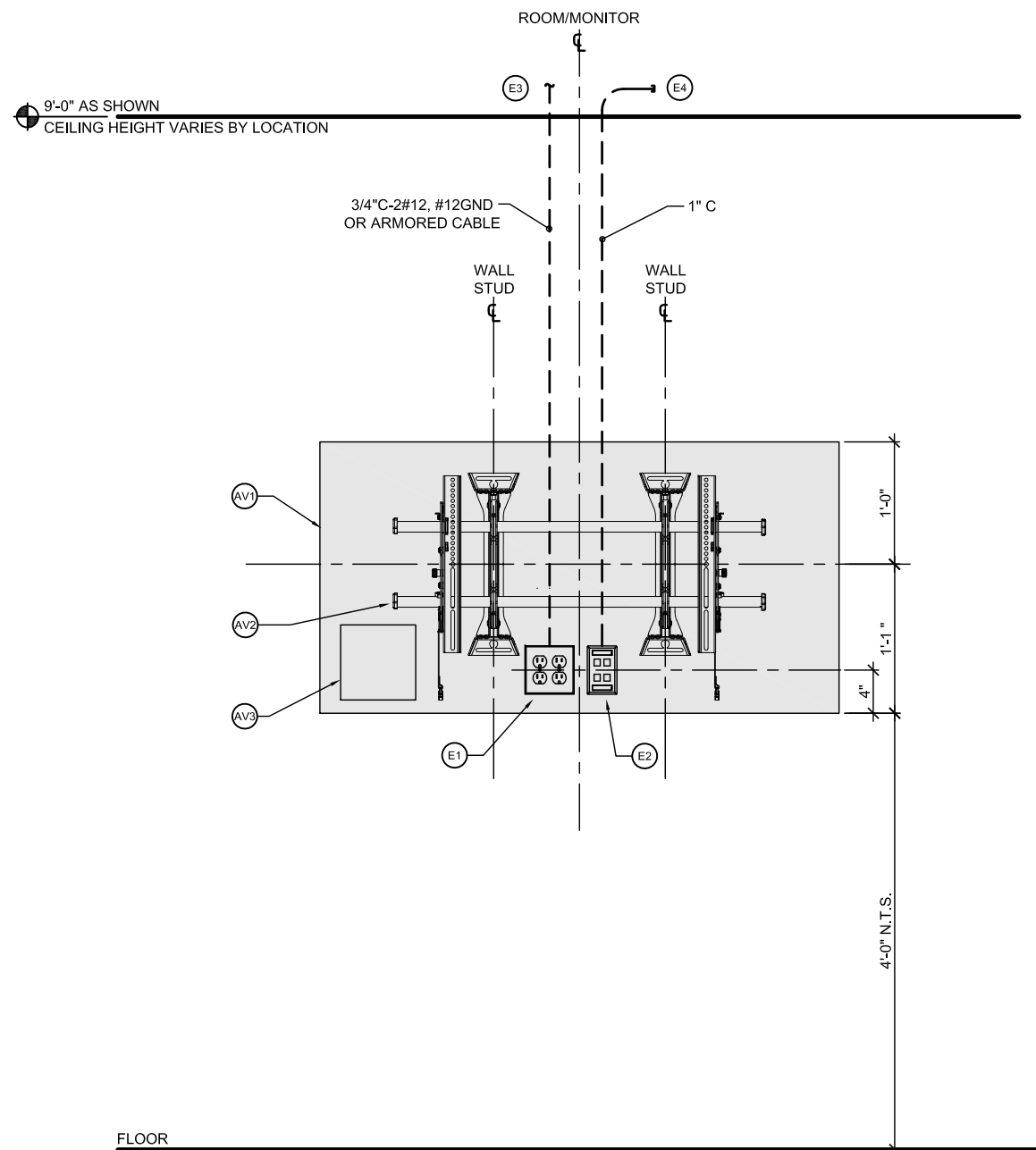
CD's Issued To:  
 BFS: N/A HFES: N/A  
 BFS Shop Drawing Submission Req'd:  
 FA: N/A SUPP: N/A

Project Delivery Method: \_\_\_\_\_  
 UM Design Manager: S. Fox  
 Designed: G. Martin  
 Drawn: G. Martin, D. Doi  
 Coordination Checked: S. Fox  
 Checked: \_\_\_\_\_  
 Approved: \_\_\_\_\_  
 Location: Multiple Sites - 9985  
 Keyword: (E) Communications

Project  
HHC DIGITAL SIGNAGE

Sheet Title  
AUDIO VISUAL EQUIPMENT MOUNTING DTAILS

Project Number Sheet Number



**1** TYPICAL 55" DIGITAL SCREEN MOUNTING DETAIL FOR STUD WALL

E-1

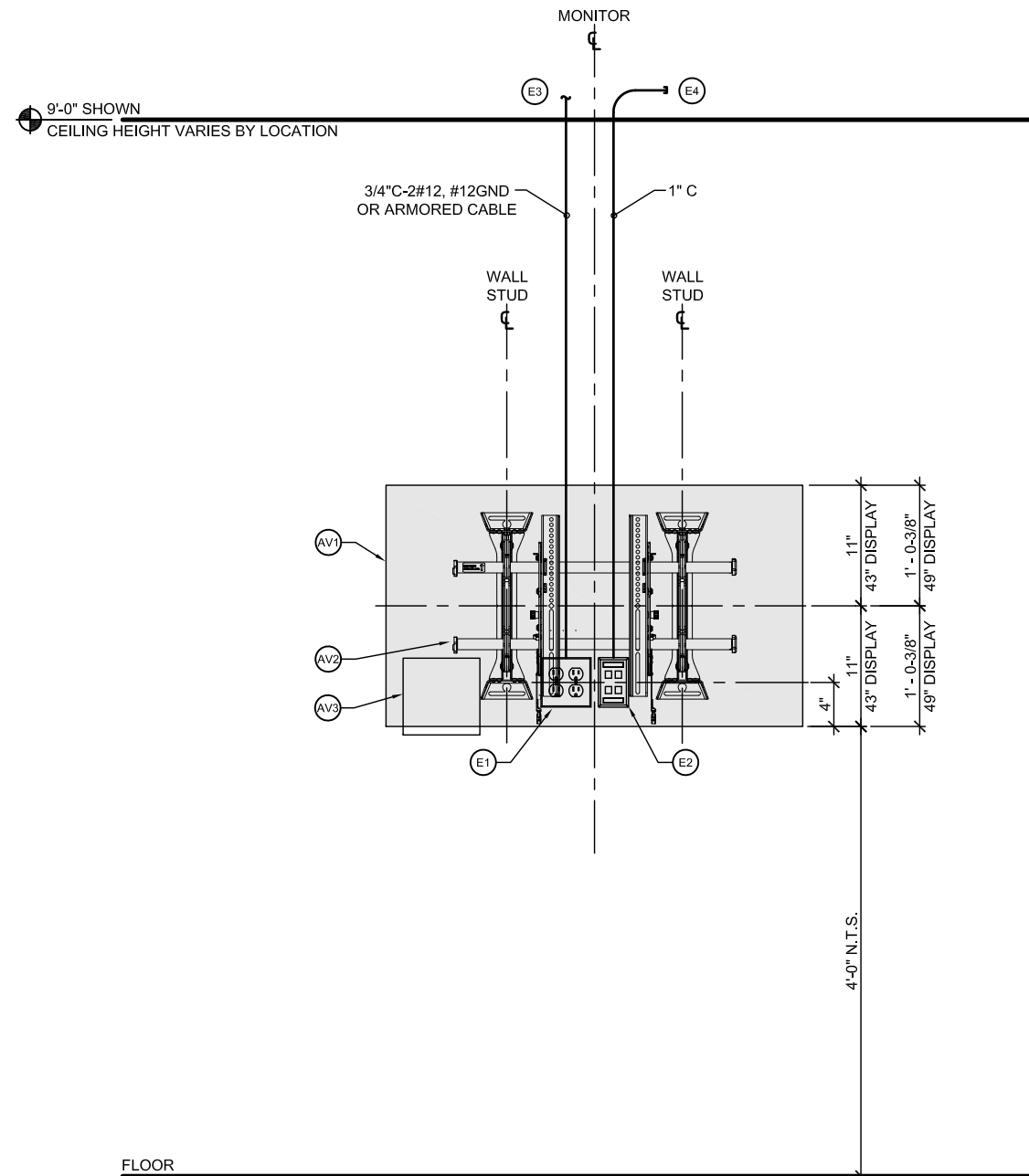
0 4" 8" 1'-4"

### DETAIL 1 ELECTRICAL KEY NOTES

- (E1) RECESSED 120V QUADPLEX OUTLET IN 2-GANG BOX.
- (E2) RECESSED 1-GANG DATA OUTLET WITH 1" CONDUIT TO THE NEAREST CABLE TRAY. CABLE INSTALLED BY AT&T OR ITCOM TO TELECOMM ROOM.
- (E3) INSTALL 3/4"C - 2#12 & #12GND TO 120V SOURCE.
- (E4) INSTALL 1"C - 2/CAT6 ETHERNET CABLES TO ABOVE CEILING. PROVIDE BUSHING ON CONDUIT END. CABLING MAY BE SUPPORTED IN FREE AIR USING J-HOOKS FOR THE HORIZONTAL RUN TO THE TELECOM RM INDICATED IN PLAN.

### DETAIL AUDIO/VISUAL KEY NOTES

- (AV1) 55" FLAT PANEL DISPLAY (FPD) - SAMSUNG MODEL #PM55F.
- (AV2) 55" TILTING WALL MOUNT BRACKET ATTACHES TO (2) STUDS AND DOES NOT REQUIRE ADDITIONAL BRACING. HITS-AV MANAGED AV CONTRACTOR TO PURCHASE AND INSTALL. CHIEF MODEL #LTM1U AS SHOWN.
- (AV3) CURRENT HITS/ITS APPROVED MODEL OF HP MINI WITHIN HP MINI MOUNTING SLEEVE ATTACHED TO WALL. HITS-AV MANAGED CONTRACTOR TO PURCHASE AND INSTALL.



**2** TYPICAL 43" & 49" DIGITAL SCREEN MOUNTING DETAIL FOR STUD WALL

E-1

0 4" 8" 1'-4"

### DETAIL 2 ELECTRICAL KEY NOTES

- (E1) RECESSED 120V QUADPLEX OUTLET IN 2-GANG BOX.
- (E2) RECESSED 1-GANG DATA OUTLET WITH 1" CONDUIT TO THE NEAREST CABLE TRAY. CABLE INSTALLED BY AT&T OR ITCOM TO TELECOMM ROOM.
- (E3) INSTALL 3/4"C - 2#12 & #12GND TO 120V SOURCE.
- (E4) INSTALL 1"C - 2/CAT6 ETHERNET CABLES TO ABOVE CEILING. PROVIDE BUSHING ON CONDUIT ENDS. WITH THE ELECTRICAL INSPECTOR'S PERMISSION, CABLING MAY BE SUPPORTED IN FREE AIR USING J-HOOKS FOR THE HORIZONTAL RUN TO THE TELECOMM RM INDICATED IN PLANS.

### DETAIL AUDIO/VISUAL KEY NOTES

- (AV1) 43" FLAT PANEL DISPLAY (FPD) - SAMSUNG MODEL #PM43F, WEIGHT ± 15.5LBS.
- (AV2) FOR 43" & 49" DISPLAYS: TILTING WALL MOUNT BRACKET ATTACHES TO MINIMUM (1) STUD (TOGGLED TO DRYWALL FOR 2ND BRACKET ACCEPTABLE IF NECESSARY). DOES NOT REQUIRE ADDITIONAL BRACING. HITS-AV MAMANGED AV CONTRACTOR TO PURCHASE AND INSTALL. CHIEF MODEL #MTM1U AS SHOWN.
- (AV3) CURRENT HITS/ITS APPROVED MODEL OF HP MINI WITHIN HP MINI MOUNTING SLEEVE ATTACHED TO WALL. HITS-AV MANAGED CONTRACTOR TO PURCHASE AND INSTALL.