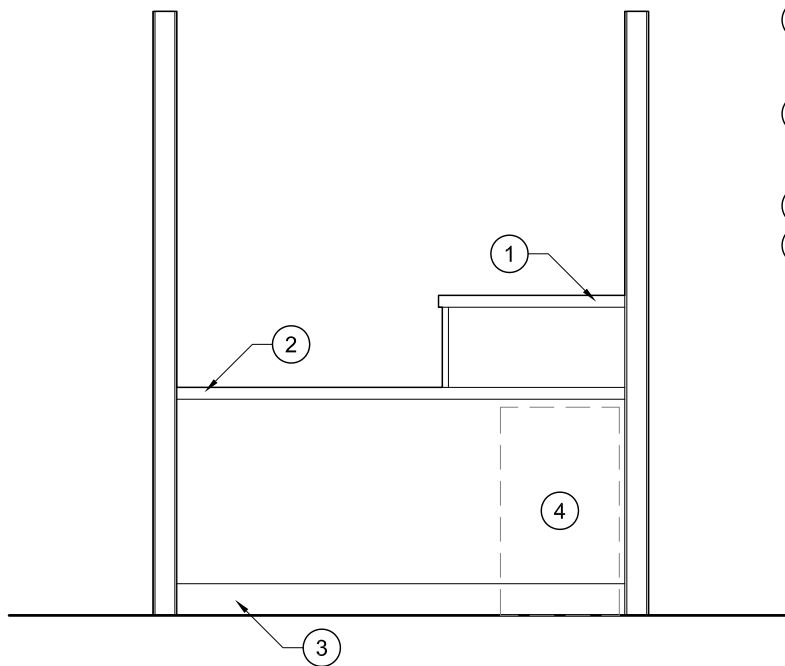


- ① PRIVACY PANELS, TYPICAL OF TWO. SEE DETAIL FOR PANEL FINISH SPECIFICATIONS
- ② PLASIC LAMINATE CLAD TRANSACTION COUNTERTOPS & SUPPORTS
- ③ INSTALL SHEET WALL PROTECTION ON HALF-WALL FROM WALL BASE TO UNDERSIDE OF COUNTERTOP, TYPICAL FOR PATIENT SIDE
- ④ RESILIENT BASE, TYPICAL

CLERK STATION  
PATIENT SIDE - ELEVATION



- ① PLASTIC LAMINATE TRANSACTION COUNTERTOP
- ② PLASIC LAMINATE DESK-HEIGHT COUNTERTOP
- ③ RESILIENT BASE, TYPICAL
- ④ EQUIPMENT/FURNITURE N.I.C.

CLERK STATION  
CLERK SIDE - ELEVATION