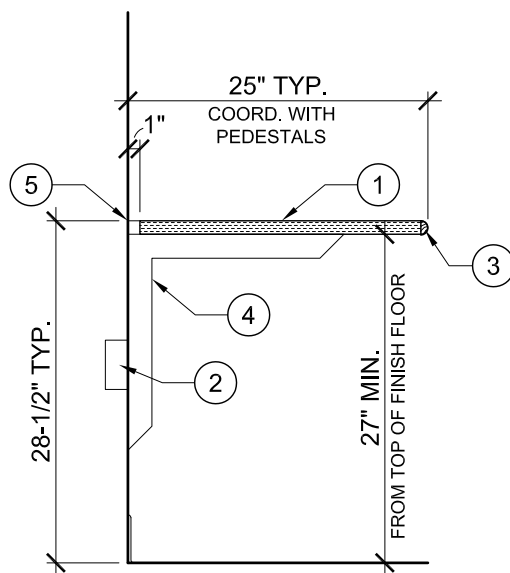


STANDARD WORKSTATION  
COUNTER - PLAN



- ① P. LAM. ON 1-1/8" PART. BOARD. BOTTOM SURFACE OF COUNTER SHALL BE SMOOTH TO ALLOW INSTALLATION OF ACCESSORIES. RADIUS EXPOSED CORNERS 1". CAULK AT WALL.
- ② ELECTRICAL BOX LOCATION, SEE ELECTRICAL DRAWINGS
- ③ HARD WOOD BULLNOSE OR VINYL NOSING
- ④ 18" x 18" EXTRUDED ALUMINUM SUPPORT BRACKET, CLEAR ANODIZED FINISH - RAKKS (800) 826-6006. COORDINATE WITH PEDESTAL LOCATIONS.
- ⑤ 1-1/4" x 12" CURVED OPENING AT BACK OF COUNTER AT EACH WORKSTATION.

STANDARD WORKSTATION  
COUNTER - SECTION

