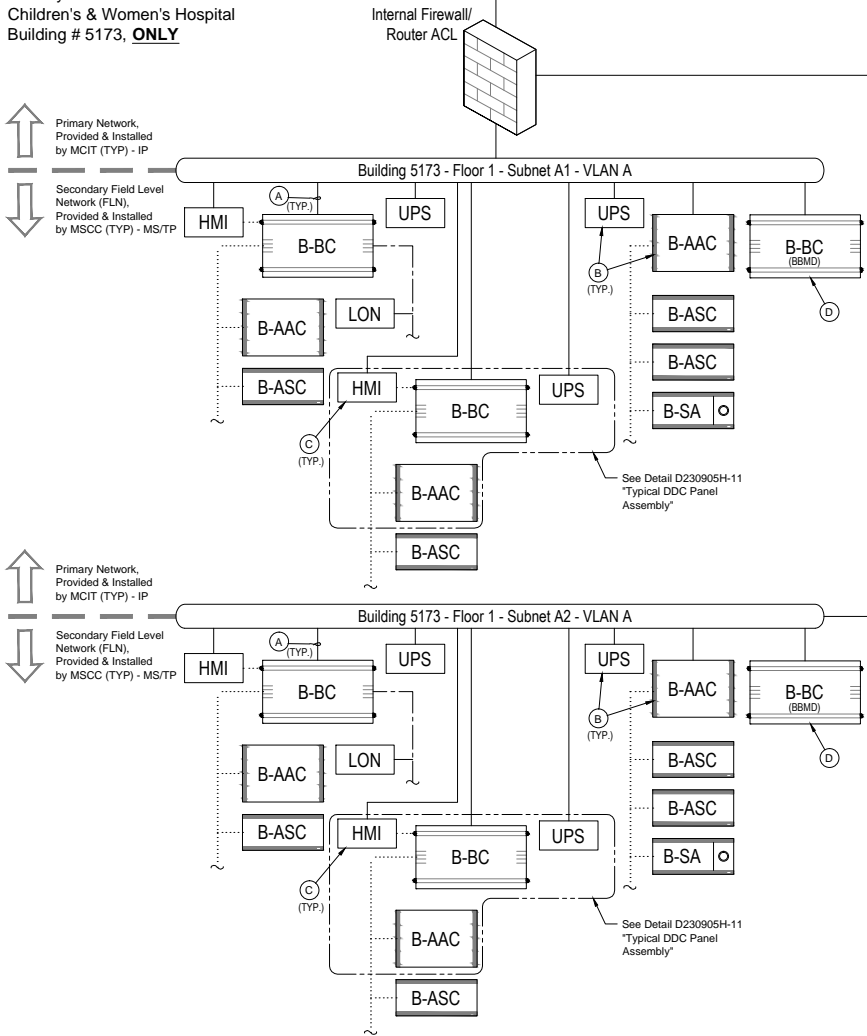


HOSPITAL BACKBONE

Primary Network Architecture for Children's & Women's Hospital Building # 5173, **ONLY**



GENERAL NOTES:

1. All UMHC DDC systems, regardless of manufacturer or type, shall report all points back to the Designo CC frontend. Proprietary, or vendor specific frontends, are not allowed. See Masterspec 230905 "Mechanical Systems Controls" for requirements.
2. The complete control system work shall be split between the Mechanical Systems Controls Contractor (MSCC), the Systems Integrator (SI) and UMHC's MCIT department. See Specification 230905 Mechanical Systems Controls (Hospital Projects), Part 1 section for a detailed description on the division of work.
3. The MSCC shall provide a fully integrated BACnet MCS incorporating electric, pneumatic, and direct digital control (DDC) components for the control and monitoring of heating, ventilating and air conditioning (HVAC) equipment and other related systems. Controllers shall natively use the most current ANSI/ASHRAE Standard 135 for communications and shall be BTL certified with BTL published PIC statements.
4. UMHC's Designo CC frontend is installed on servers in MCIT's server rooms. All communication/ integration to the Designo CC frontend shall be via BACnet IP over the MCIT layer 3 network.
5. UMHC wishes to maximize the use of its MCIT network for a) communication to the Designo CC frontend and b) communication between DDC building controllers. Communication to/ between lower level controllers shall be via a MS/TP secondary field level network (FLN), provided & installed by the Mechanical Systems Controls Contractor (MSCC).
6. The SI shall be responsible for BACnet device and object discovery, point instantiation and creating of all front end graphics. The role of Systems Integrator shall be performed by UMHC Systems Monitoring staff, or an integration contractor hired by Systems Monitoring. All contracts for Systems Integration, if needed, shall be at the discretion of UMHC Systems Monitoring staff and shall be direct contracts with UMHC, external to the construction contract.
7. All products to be used as an integral part of the proposed MCS must be contained on the vendor's pre-approved parts list (including BTL PIC statements) as listed in Table 1.

KEYNOTES:

- A. Mechanical Systems Controls Contractor (MSCC) shall provide 1°C from DDC panel to nearest cable tray for IP network connectivity. MCIT shall mount biscuit data jack in DDC panel enclosure and provide data cabling, patch cables & network configuration. MSCC shall connect all patch cables at respective controllers/UPS's.
- B. Power to controllers & associated controlled devices shall be provided by MSCC. Power source shall match or exceed that of the equipment being controlled (I.E. Normal vs. Emergency Power). UPS's shall be provided for all controllers except for controllers serving non-critical infrastructure in offsite/ outpatient facilities. Integrate UPS to Designo CC frontend.
- C. Human Machine Interface color touchscreen provided at all DDC panels for visual verification of critical system points (equipment status, temperatures, pressures, etc.)
- D. Dedicated B-BC BBMD for managing BACnet Broadcasting for each subnet. BBMD shall manage the BACnet distribution table for all other BACnet IP devices.

LEGEND:

- BMS Building Management System
- B-AAC BACnet Advanced Application Controller
- B-ASC BACnet Application Specific Controller
- B-AWS BACnet Advanced Workstation
- B-BC BACnet Building Controller
- B-SA BACnet Smart Actuator
- B-SS BACnet Smart Sensor
- BBMD BACnet Broadcast Management Device
- FPD Facilities Planning & Development (UMHC)
- HMI Human Machine Interface
- MCIT Medical Center Information Technology
- MCS Mechanical Control System
- MSCC Mechanical Systems Controls Contractor
- SI Systems Integrator

- BACnet IP
- BACnet MS/TP
- LON MS/TP

TABLE 1: ACCEPTABLE BACNET CONTROLLERS

Manufacturer	Acceptable DDC Controller	BACnet Device Profile				Primary Network	Secondary Network
		B-BC	B-AAC	B-ASC	B-SA		
Siemens	PXC Modular	X				X	
	PXC Compact	X	X			X	X
	Unitary Controller		X				X
	PTEC			X			X
	BACnet VAV Actuator				X		X
Honeywell	ComfortPoint Open Plant Controller	X				X	
	ComfortPoint IPC	X				X	
	ComfortPoint Core	X				X	
	ComfortPoint Open DIO		X				X
	ComfortPoint Open VAV/ SPC/ Compact VAV/ FCU		X				X
ASI	JASIC Tridium Controller	X				X	
	ASIC/ 3			X			X
	ASIC/ 2			X			X
	ASIC/ 1			X			X

2101 Commonwealth, Suite B
 Ann Arbor, MI 48105
 FAX: (734) 763-0417
www.med.umich.edu/facilities/plan
 FILE: D230905H-12b
 ISSUE: Nov 16



**BUILDING MANAGEMENT SYSTEM
 NETWORK ARCHITECTURE
 FOR CHILDREN'S & WOMEN'S
 BLDG #5173 ONLY**